

Trinsic

A family of Recessed, Surface and Track mounted fixtures in multiple sizes to suit various applications

A wide spectrum of sizes and beam options provide the required versatility for any project



Project - Hotel ITC Grand Goa
Goa, India

Trinsic - Features

Tube - One Product - Multiple Variations

I Track Mounted



- Track Mounted Fixture
- Inbuilt Driver
 - No Separate Driver Box
 - 4 Compact Sizes
 - Tilt & Rotate Feature

II Ceiling Recessed



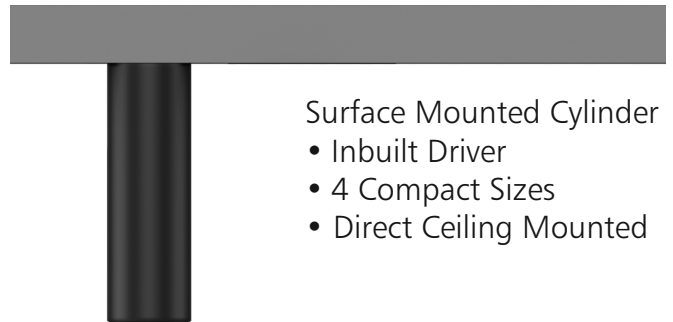
- Ceiling Recessed Attachment
- Inbuilt Driver
 - 4 Compact Sizes
 - Tilt & Rotate Feature

III Surface - Tilt & rotate



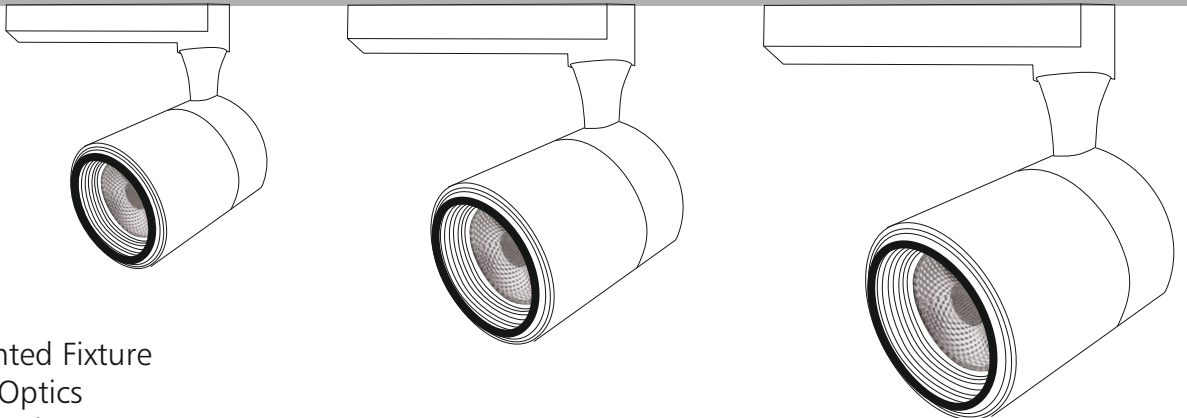
- Surface Mounted Attachment
- Tilt & Rotate Feature
 - Inbuilt Driver
 - 4 Compact Sizes

IV Surface Fixed



- Surface Mounted Cylinder
- Inbuilt Driver
 - 4 Compact Sizes
 - Direct Ceiling Mounted

Trinsic Ace - Features



Track Mounted Fixture

- Multiple Optics
- Separate Driver Box
- 3 Sizes
- Anti-Glare Front Baffle Ring



Trinsic Disc

Ø74xH140mm
Ø103xH140mm

Trinsic



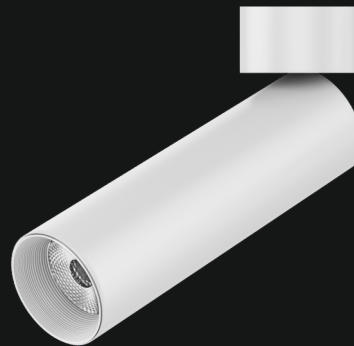
Track

Ø57xH163mm
Ø57xH207mm
Ø73xH244mm
Ø84xH269mm



Recessed

Ø57xH164mm
Ø57xH210mm
Ø73xH251mm
Ø84xH281mm



Surface Tilt

Ø57xH144mm
Ø57xH196mm
Ø73xH226mm
Ø84xH246mm



Surface

Ø57xH100mm
Ø57xH150mm
Ø73xH180mm
Ø84xH200mm

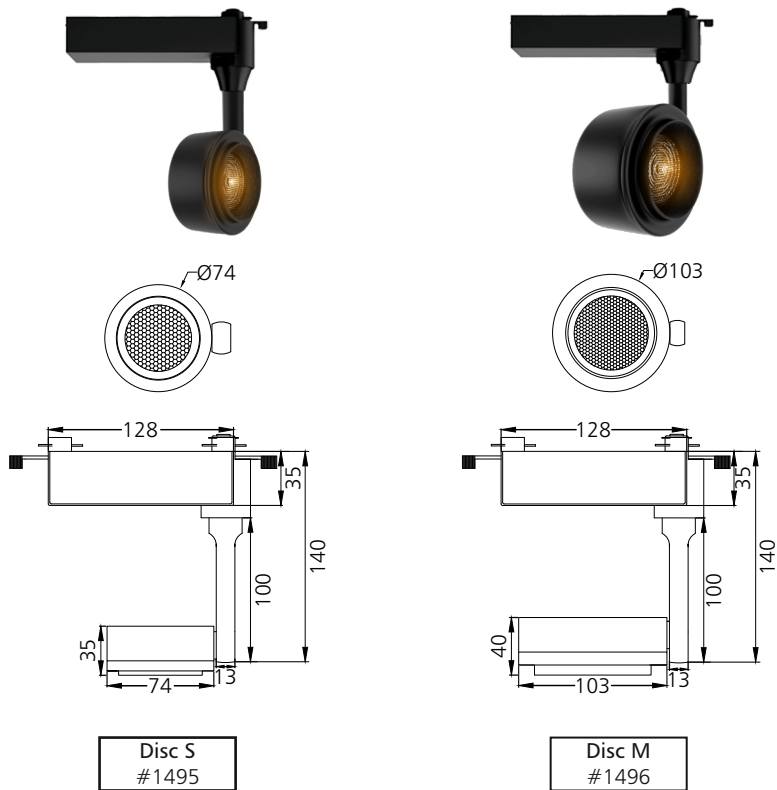
Trinsic

LED	Typ CRI	Body Finish	Interior Finish	IP Rating	Dimming Options	Filter Options
Array 2 Step MacAdam L90-B10 60,000Hrs	95	Matt Black	NA	IP20	Non Dim Triac Analog Dali	Honeycomb

Trinsic Disc



Tilt & Rotate



	Disc S #1495	Disc M #1496
Power	10W - 250mA	18W - 450mA
Lumen / CCT	830lm - 2700K 850lm - 3000K 875lm - 4000K	1494lm - 2700K 1530lm - 3000K 1575lm - 4000K
UGR	< 19	< 19
Beam Angle	15° 24° 38°	15° 24° 38°
Driver Placement	Driver Box	Driver Box

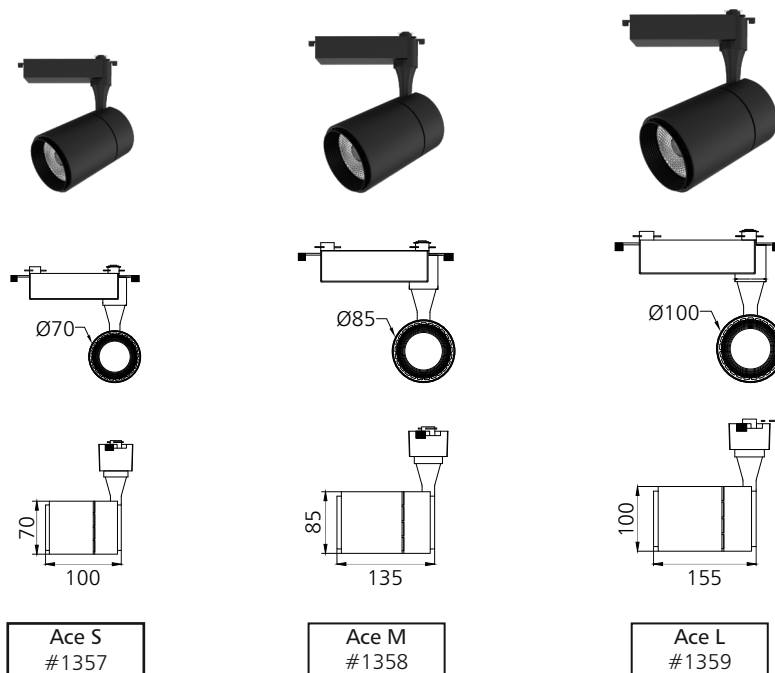
Trinsic

LED	Typ CRI	Body Finish	Interior Finish	IP Rating	Dimming Options	Filter Options
Array 2 Step MacAdam L90-B10 60,000Hrs	95	Matt White Matt Black	Matt White Matt Black Matt Silver Matt Gold	IP20	Non Dim Triac Analog Dali	Softening Lens Honeycomb

Trinsic Ace



Tilt & Rotate



Power	10W - 250mA	20W - 500mA	30W - 750mA
Lumen / CCT	830lm - 2700K 850lm - 3000K 875lm - 4000K	1685lm - 2700K 1730lm - 3000K 1780lm - 4000K	2550lm - 2700K 2615lm - 3000K 2695lm - 4000K
UGR	<19	<19	<19
Beam Angle	10° 15° 24° 38°	15° 24° 38°	15° 24° 38°
Driver Placement	Driver Box	Driver Box	Driver Box

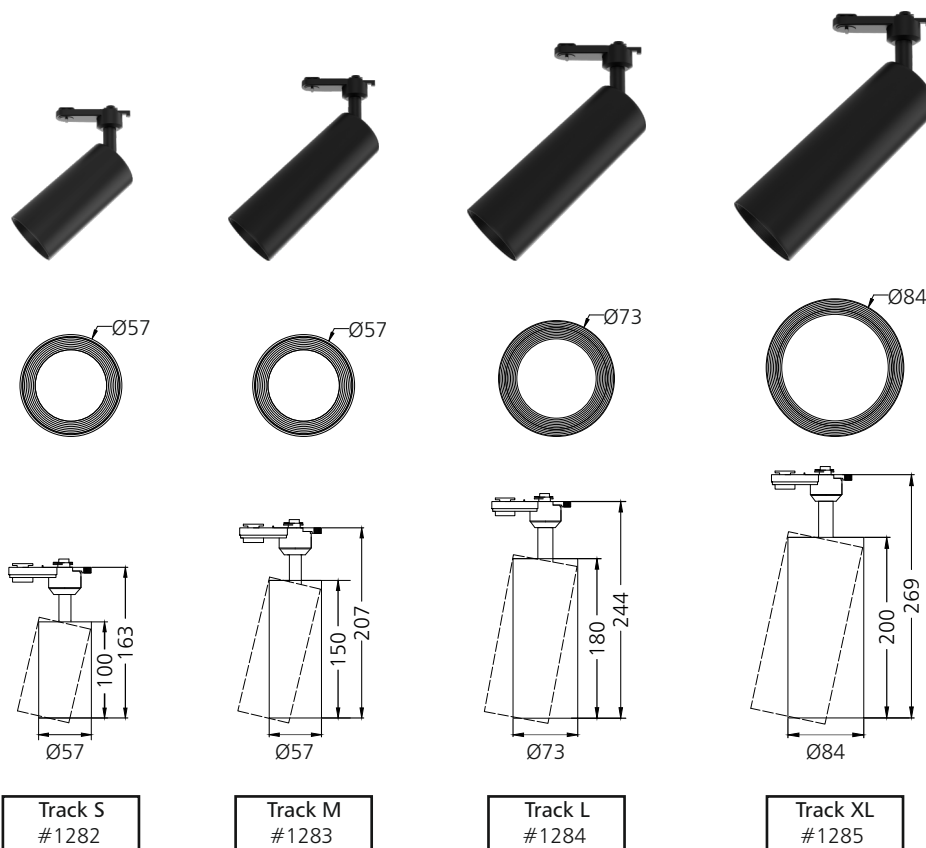
Trinsic

LED	Typ CRI	Body Finish	Interior Finish	IP Rating	Dimming Options	Filter Options
Array 2 Step MacAdam L90-B10 60,000Hrs	95	Matt White Matt Black	Matt White Matt Black Matt Silver Matt Gold	IP20	Non Dim Triac Analog Dali	Softening Lens Honeycomb

Trinsic - Track



Tilt & Rotate



Power	7W - 190mA	15W - 350mA	25W - 600mA	35W - 900mA
Lumen / CCT	570lm - 2700K 585lm - 3000K 605lm - 4000K	1230lm - 2700K 1260lm - 3000K 1300lm - 4000K	1945lm - 2700K 1995lm - 3000K 2055lm - 4000K	2855lm - 2700K 2925lm - 3000K 3015lm - 4000K
UGR	<19	<19	<19	<19
Beam Angle	10° 15° 24° 38°	15° 24° 38°	15° 24° 38°	15° 24° 38°
Driver Placement	In-built	In-built	In-built	In-built

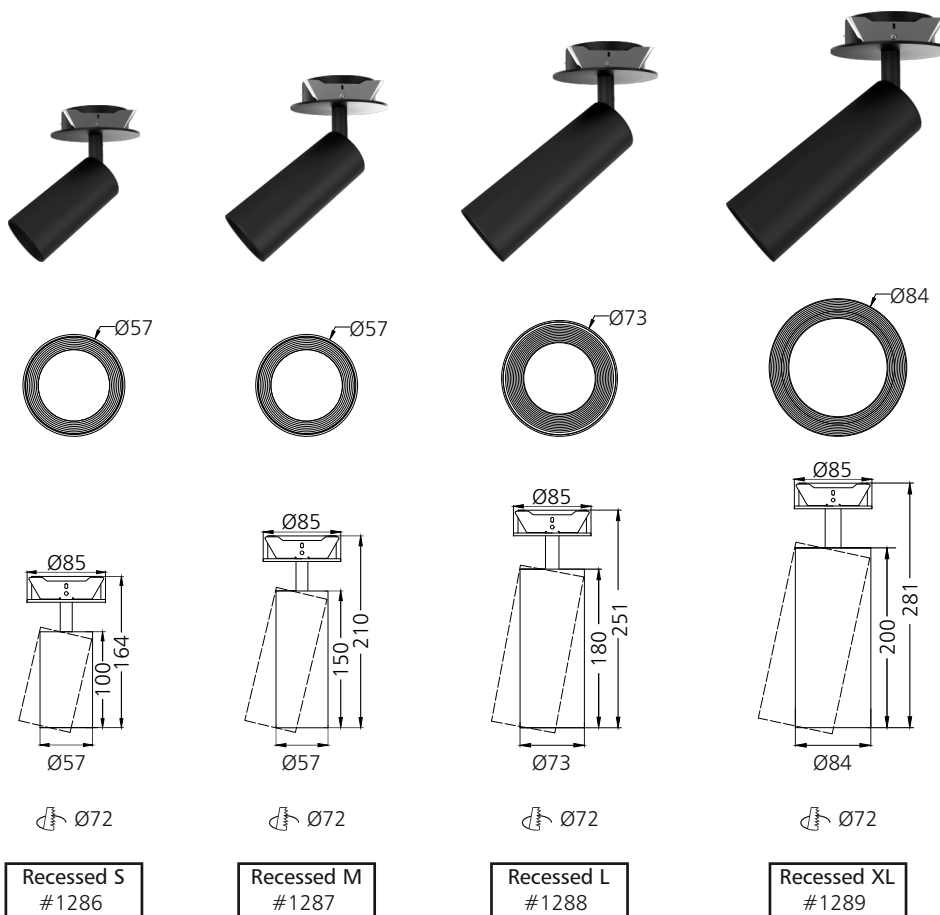
Trinsic

LED	Typ CRI	Body Finish	Interior Finish	IP Rating	Dimming Options	Filter Options
Array 2 Step MacAdam L90-B10 60,000Hrs	95	Matt White Matt Black	Matt White Matt Black Matt Silver Matt Gold	IP20	Non Dim Triac Analog Dali	Softening Lens Honeycomb

Trinsic - Recessed



Tilt & Rotate



	Recessed S #1286	Recessed M #1287	Recessed L #1288	Recessed XL #1289
Power	7W - 190mA	15W - 350mA	25W - 600mA	35W - 900mA
Lumen / CCT	570lm - 2700K 585lm - 3000K 605lm - 4000K	1230lm - 2700K 1260lm - 3000K 1300lm - 4000K	1945lm - 2700K 1995lm - 3000K 2055lm - 4000K	2855lm - 2700K 2925lm - 3000K 3015lm - 4000K
UGR	< 19	< 19	< 19	< 19
Beam Angle	10° 15° 24° 38°	15° 24° 38°	15° 24° 38°	15° 24° 38°
Driver Placement	In-built	In-built	In-built	In-built

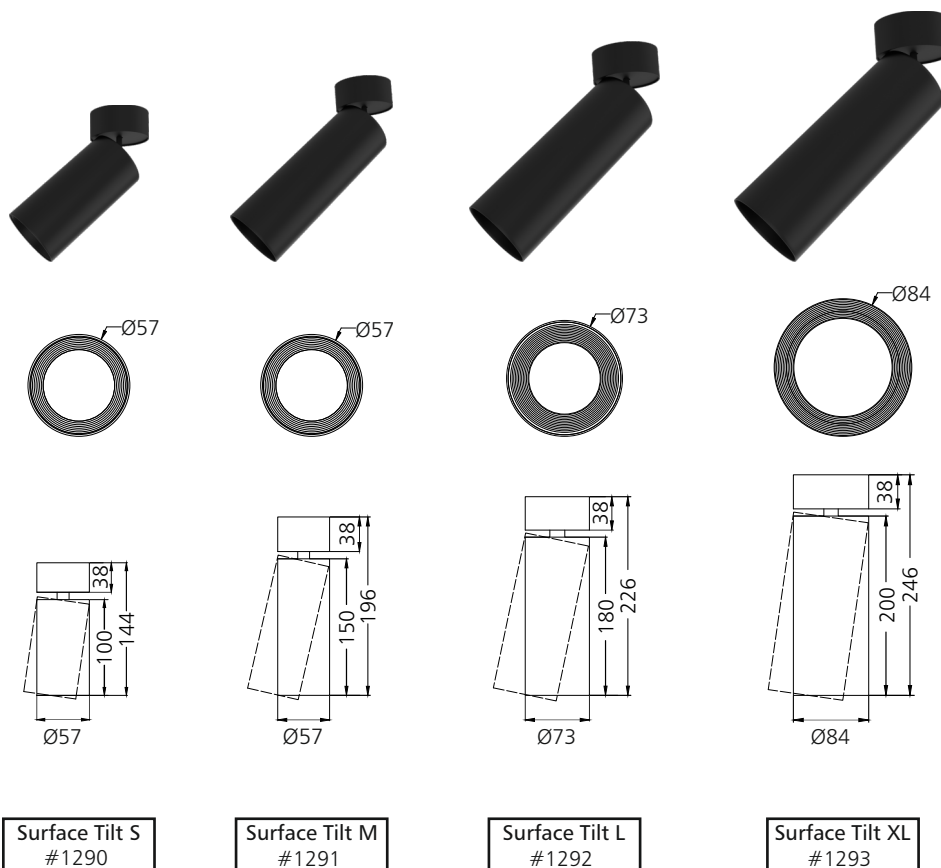
Trinsic

LED	Typ CRI	Body Finish	Interior Finish	IP Rating	Dimming Options	Filter Options
Array 2 Step MacAdam L90-B10 60,000Hrs	95	Matt White Matt Black	Matt White Matt Black Matt Silver Matt Gold	IP20	Non Dim Triac Analog Dali	Softening Lens Honeycomb

Trinsic - Surface Tilt



Tilt & Rotate

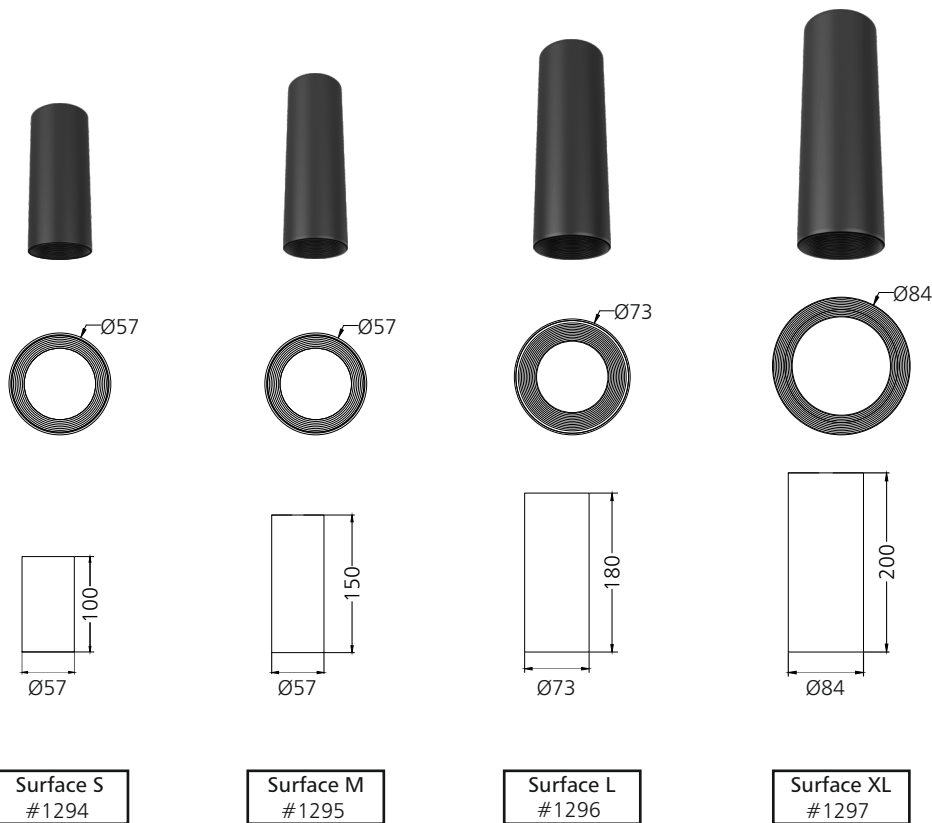


	Surface Tilt S #1290	Surface Tilt M #1291	Surface Tilt L #1292	Surface Tilt XL #1293
Power	7W - 190mA	15W - 350mA	25W - 600mA	35W - 900mA
Lumen / CCT	570lm - 2700K 585lm - 3000K 605lm - 4000K	1230lm - 2700K 1260lm - 3000K 1300lm - 4000K	1945lm - 2700K 1995lm - 3000K 2055lm - 4000K	2855lm - 2700K 2925lm - 3000K 3015lm - 4000K
UGR	<19	<19	<19	<19
Beam Angle	10° 15° 24° 38°	15° 24° 38°	15° 24° 38°	15° 24° 38°
Driver Placement	In-built	In-built	In-built	In-built

Trinsic

LED	Typ CRI	Body Finish	Interior Finish	IP Rating	Dimming Options	Filter Options
Array 2 Step MacAdam L90-B10 60,000Hrs	95	Matt White Matt Black	Matt White Matt Black Matt Silver Matt Gold	IP20	Non Dim Triac Analog Dali	Softening Lens Honeycomb

Trinsic - Surface

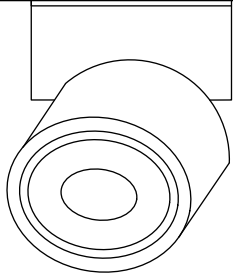


	Surface S #1294	Surface M #1295	Surface L #1296	Surface XL #1297
Power	7W - 190mA	15W - 350mA	25W - 600mA	35W - 900mA
Lumen / CCT	570lm - 2700K 585lm - 3000K 605lm - 4000K	1230lm - 2700K 1260lm - 3000K 1300lm - 4000K	1945lm - 2700K 1995lm - 3000K 2055lm - 4000K	2855lm - 2700K 2925lm - 3000K 3015lm - 4000K
UGR	< 19	< 19	< 19	< 19
Beam Angle	10° 15° 24° 38°	15° 24° 38°	15° 24° 38°	15° 24° 38°
Driver Placement	In-built	In-built	In-built	In-built



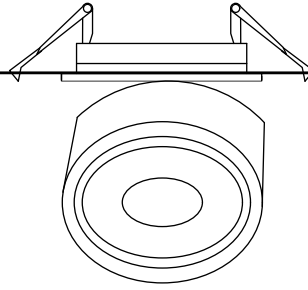
Project - Siemens Office
Mumbai, India

Trinsic Twist - Features



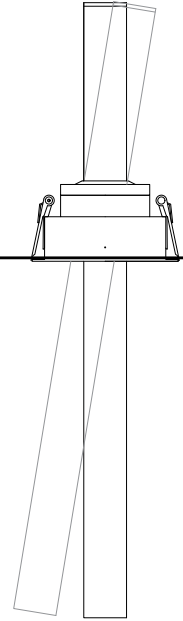
Surface Mounted Fixture

- Inbuilt Driver
- Tilt & Rotate On Axis
- Soft Glow Anti- Glare Ring
- Lens Based Optics



Ceiling Recessed Fixture

- Inbuilt Driver
- Tilt & Rotate On Axis
- Soft Glow Anti- Glare Ring
- Lens Based Optics



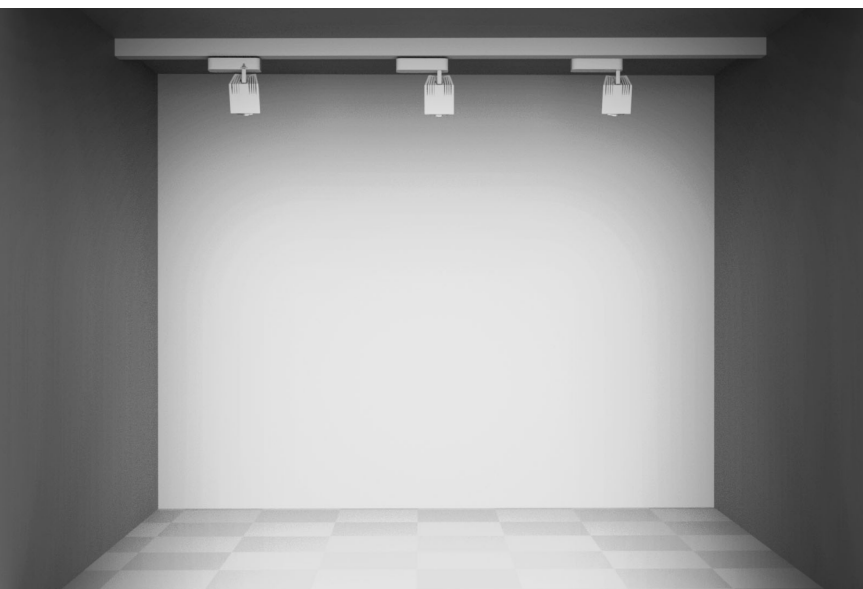
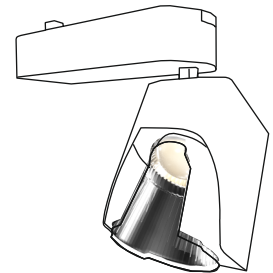
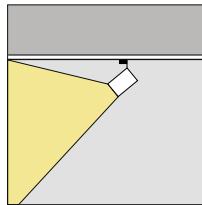
Ceiling Recessed Fixture

- Remote Driver
- Tilt & Rotate
- Lens Based Optics
- Adjustable Pipe Height

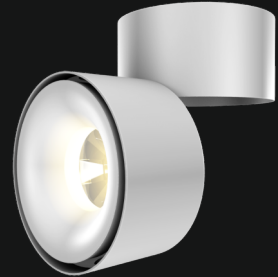
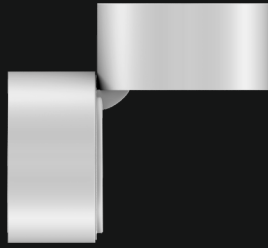
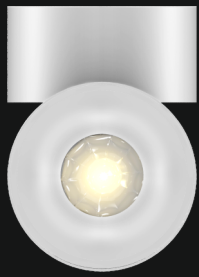
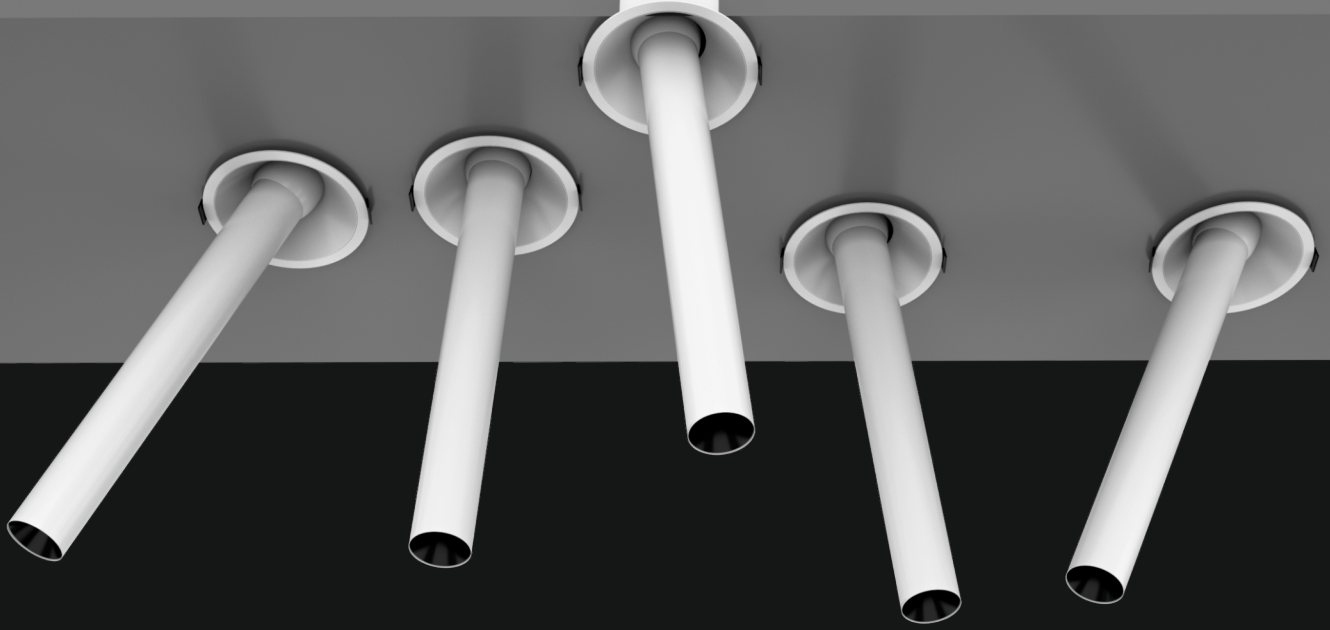
Trinsic Wash - Features

Track Mounted Fixture

- Asymmetric wallwash
- Separate Driver Box
- Lens Based Optics
- Specular finish reflector



Unique reflector design for complete wallwash enabling larger wall area coverage with asymmetric distribution. Ensures minimum light loss on the wall surface achieving uniform light



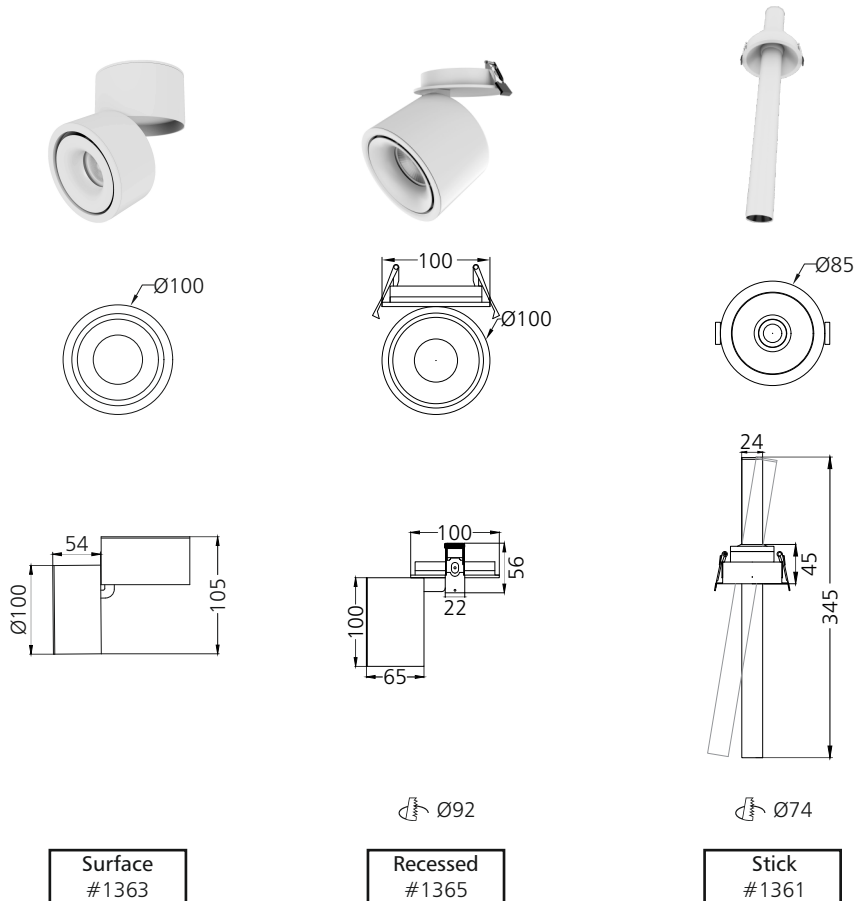
Trinsic

LED	Typ CRI	Body Finish	Interior Finish	IP Rating	Dimming Options	Filter Options
Array 2 Step MacAdam L90-B10 60,000Hrs	95	Matt White Matt Black	Matt White Matt Black Matt Silver Matt Gold	IP20	Non Dim Triac Analog Dali	Honeycomb

Trinsic Twist



Tilt & Rotate



Power	10W/15W - 250/350mA
Lumen / CCT	885lm/1335lm - 2700K 910lm/1370lm - 3000K 935lm/1410lm - 4000K
UGR	< 19
Beam Angle	15° 24° 38°
Driver Placement	In-built

Power	10W/15W - 250/350mA
Lumen / CCT	885lm/1335lm - 2700K 910lm/1370lm - 3000K 935lm/1410lm - 4000K
UGR	< 19
Beam Angle	15° 24° 38°
Driver Placement	Remote

Power	5W - 120mA
Lumen / CCT	370lm - 2700K 380lm - 3000K 395lm - 4000K
UGR	< 19
Beam Angle	10° 15° 24° 38° 60°
Driver Placement	Remote

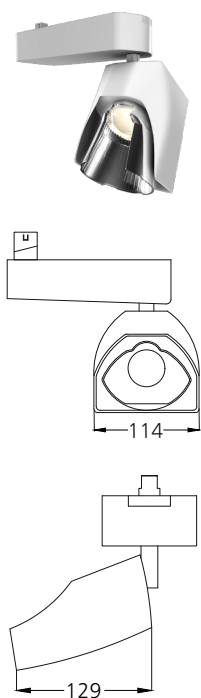
Trinsic

LED	Typ CRI	Body Finish	Interior Finish	IP Rating	Dimming Options	Filter Options
Array 2 Step MacAdam L90-B10 60,000Hrs	95	Matt White Matt Black	Matt White Matt Black	IP20	Non Dim Triac Analog Dali	NA

Trinsic Wash



Tilt & Rotate



Wash
#1360

Power	30W - 750mA
Lumen / CCT	2510lm - 2700K 2575lm - 3000K 2650lm - 4000K
UGR	< 19
Beam Angle	Wallwash
Driver Placement	Driver Box